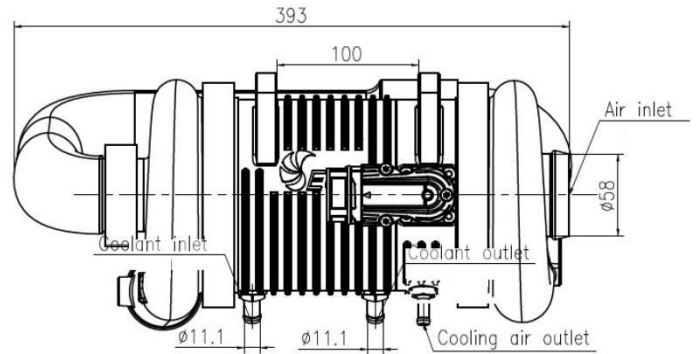
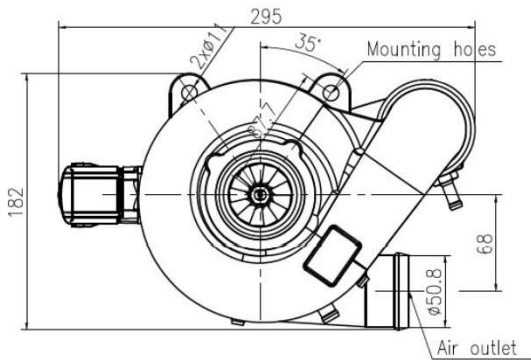


XT-FCC400

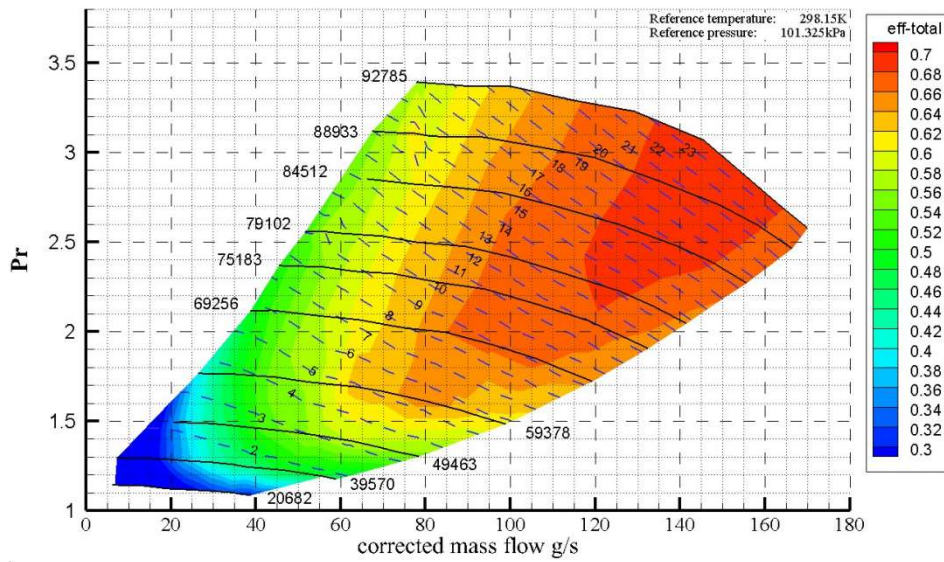
Turbo-air-compressor with foil bearing



Dimensions



Compressor Map



XT-FCC400

Turbo-air-compressor with foil bearing



Performance Parameters

Model	XT-FCC400
Design	Two stages
Bearing	Air Foil Bearing
Start stop cycle	100000
Nominal Output power	20 kW
Maximum Speed	100,000 rpm
Inlet Temperature	-45~45 °C
Pressure ratio	3.3
Mass flow	144 g/s
Isentropic Efficiency	80%
Weight	13.2 kg
Voltage	450~750 V DC
Communication	CAN 2.0B
Coolant type	50/50 Glycol/Water mix