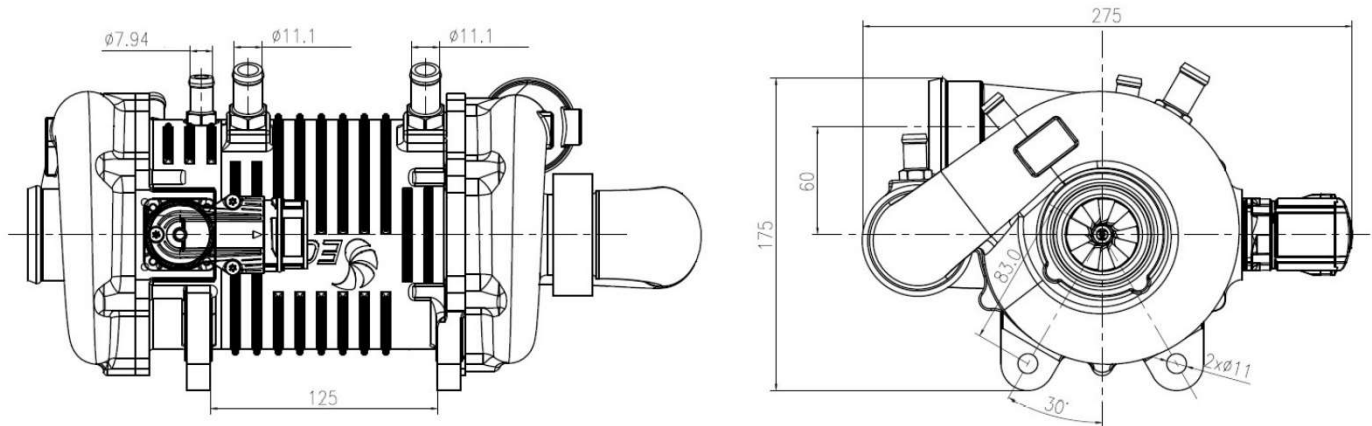


# XT-FCC300

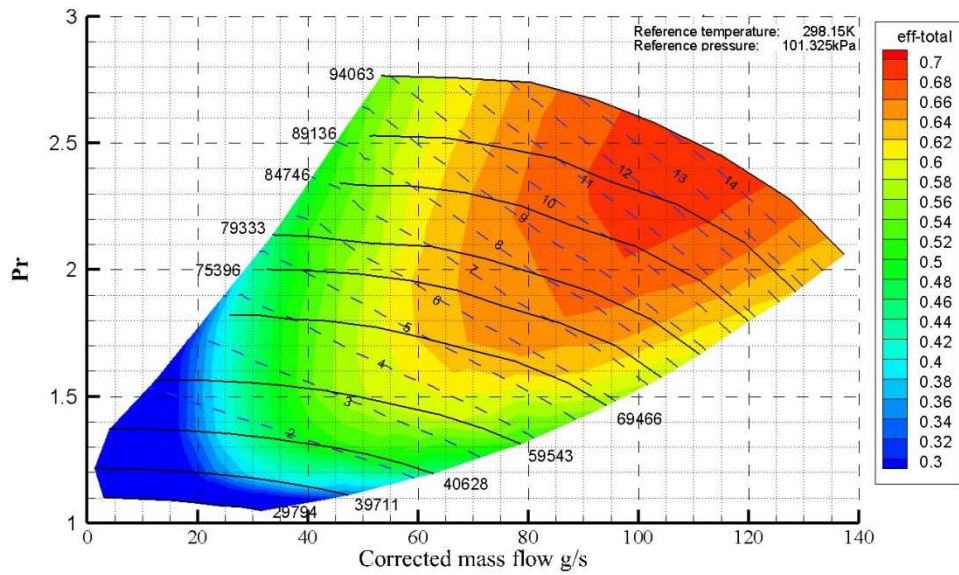
Turbo-air-compressor with foil bearing



## Dimensions



## Compressor Map



# XT-FCC300

Turbo-air-compressor with foil bearing



## Performance Parameters

Model	XT-FCC300
Design	Two stages
Bearing	Air Foil Bearing
Start stop cycle	100000
Inlet Temperature	-45~45 °C
Pressure ratio	2.5
Mass flow	108 g/s
Isentropic Efficiency	78%
Weight	11.3 kg
Voltage	450~750 V DC
Communication	CAN 2.0B, SAE-J1939
Driver size	380mm*218mm*84mm
Coolant type	50/50 Glycol/Water mix