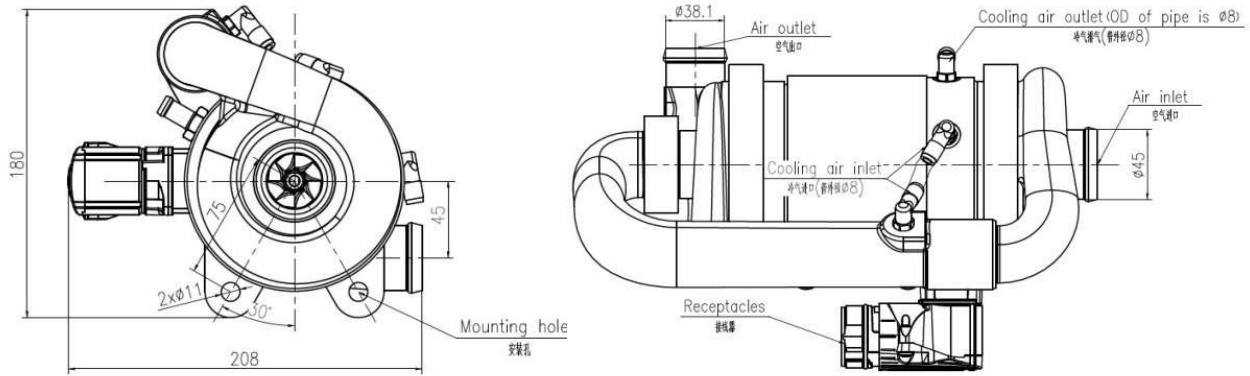


XT-FCC160

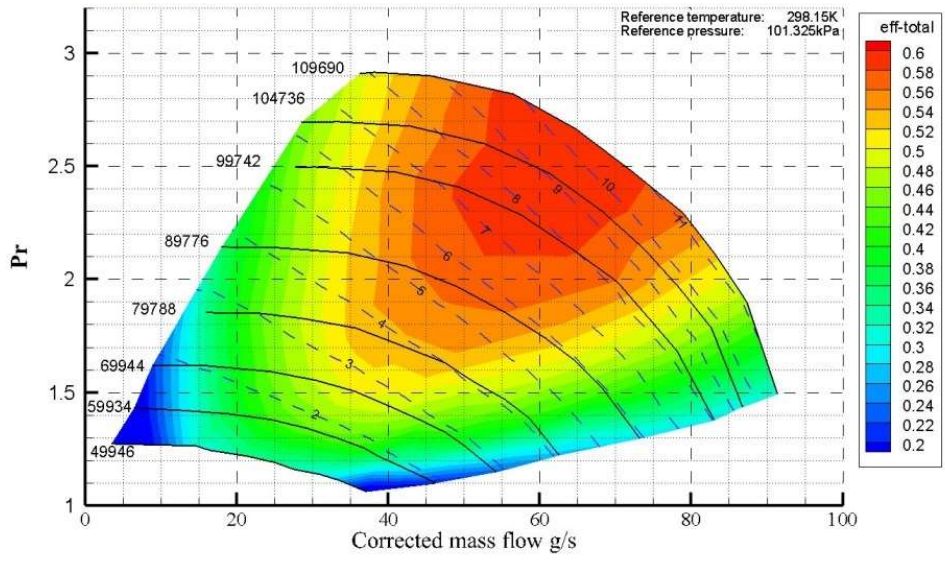
Turbo-air-compressor with foil bearing



Dimensions



Compressor Map



XT-FCC160

Turbo-air-compressor with foil bearing



Performance Parameters

Model	XT-FCC160
Design	Two stages
Bearing	Air Foil Bearing
Start stop cycle	100000
Nominal Output power	8 kW
Maximum Speed	110,000 rpm
Inlet Temperature	-45~45 °C
Pressure ratio	2.5
Mass flow	58 g/s
Isentropic Efficiency	75%
Weight	8.6 kg
Voltage	250~450 / 450~750 V DC
Communication	CAN 2.0B
Coolant type	50/50 Glycol/Water mix