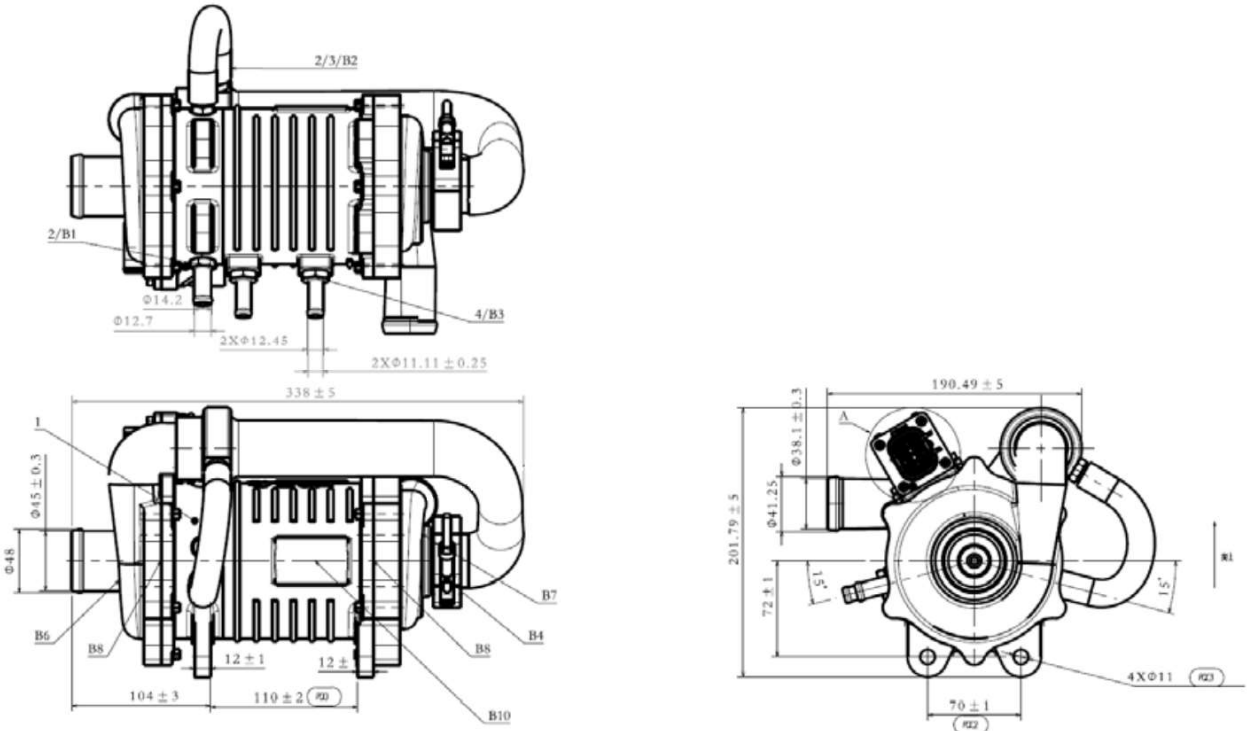


XT-FCC120

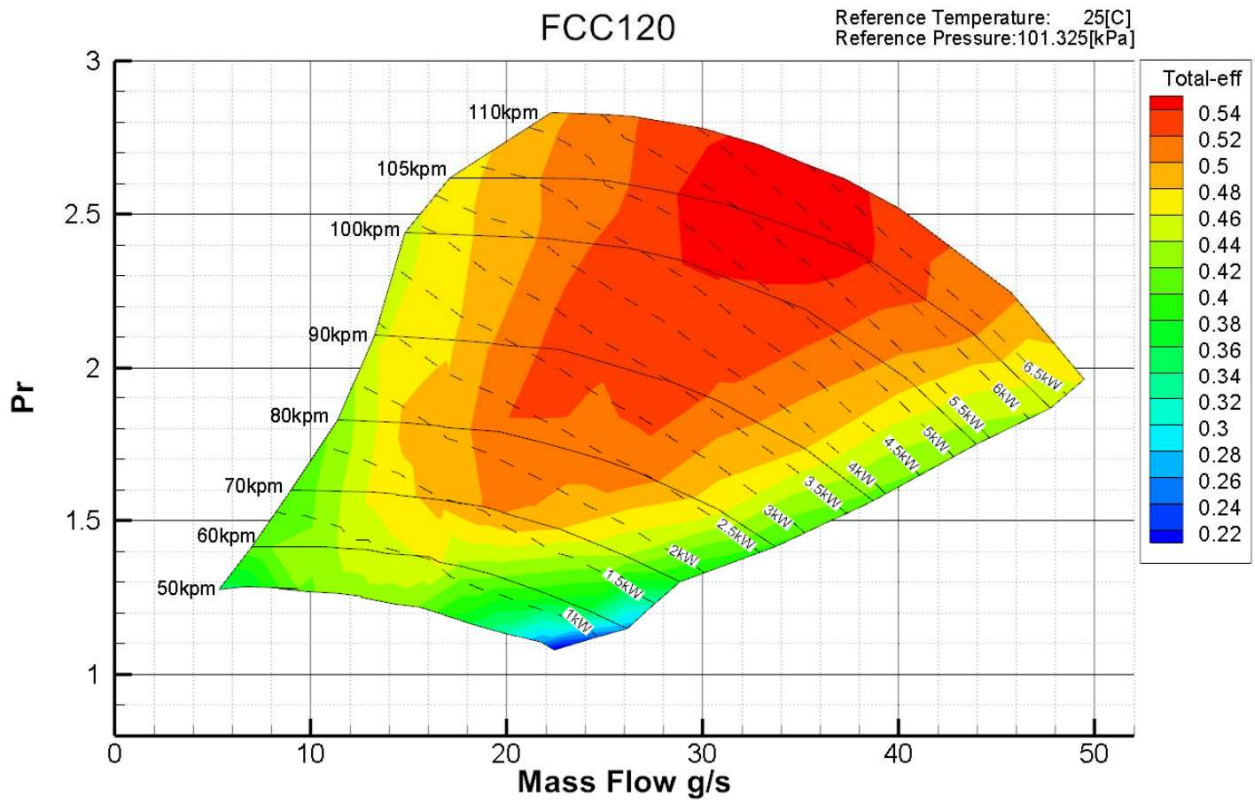
Turbo-air-compressor with foil bearing



Dimensions



Compressor Map



XT-FCC120

Turbo-air-compressor with foil bearing



Performance Parameters

Model	XT-FCC120
Design	Two stages
Bearing	Foil Bearing
Start stop cycle	100000
Inlet Temperature	-30~45 °C
Rated Pr	2.5
Rated flow	40g/s
Rated power	<8kW
Air compressor weight	8.6kg
Air compressor size	341.2*190.5*201mm
Voltage	450~750 V DC
	250~450 V DC
	48 ~ 80 V DC
Communication	CAN 2.0B, SAE-J1939
Controller weight	≤6 kg
Controller size	237.5*258.5*80mm
Coolant type	50/50 Glycol/Water mix
Protection level	IP67